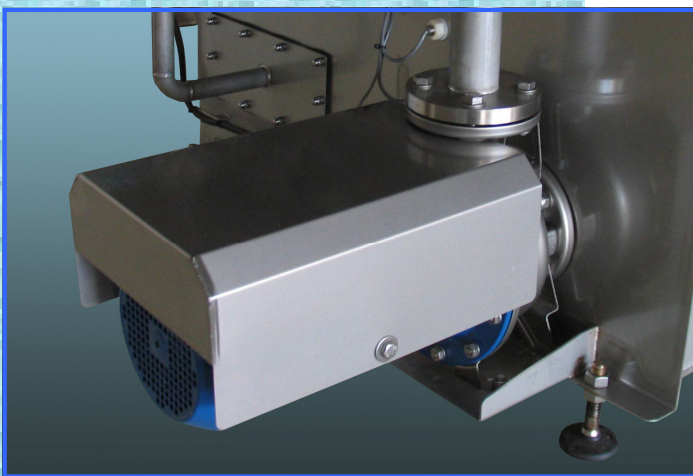


The modular and compact 1750 Tunnel Washing Machine from



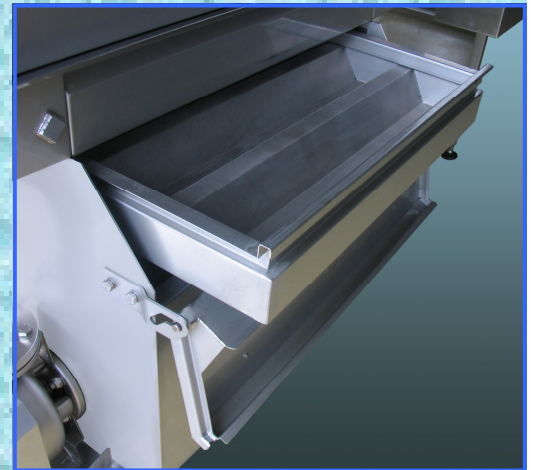
ELIONA
INDUSTRIAL



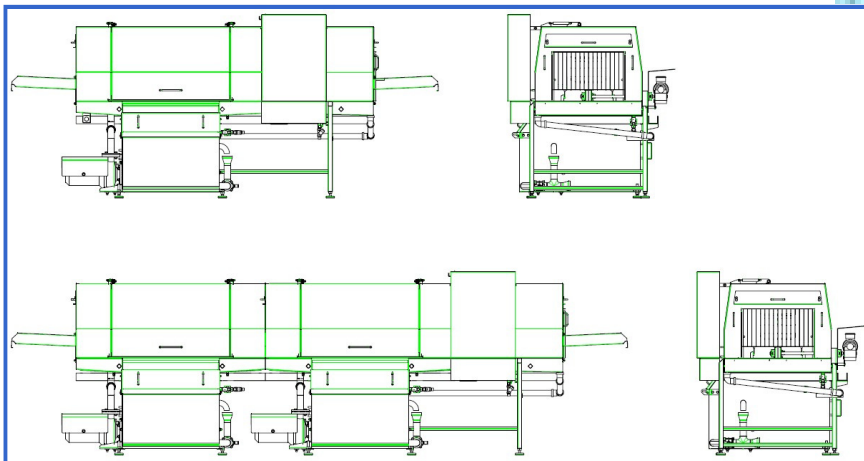
Washing volume, flow and pressure
considering the application

- A fully open and hygienic construction
- The machines are designed according to a modular concept
- Optimal relation between washing result and power consumption
- Water recuperation with lead back to the washing section
- Transport widths 40mm and 60mm

The best
Quality / Price
Relation



Redundant filter system with
detection system



MODEL	CONCEPT	MACHINE SIZE
WR 275.40/60	Washing and Rinsing with chain transport system	L 3950 x B 1510 x H 1650
WR 275.40/60 B	Washing and Rinsing with belt transport system	L 3950 x B 1510 x H 1650
PWR 450.40/60	Prewashing, Washing and Rinsing with chain transport system	L 5700 x B 1510 x H 1650
PWR 450.40/60 B	Prewashing, Washing and Rinsing with belt transport system	L 5700 x B 1510 x H 1650

Distributor:

ELIONA
INDUSTRIAL

Induwash NV

Gentsesteenweg 75 - 9900 Eeklo - Belgium

Tel. +32 (0)9 376 95 75

Fax. +32 (0)9 376 95 96

info@eliona-industrial.com

www.eliona-industrial.com

Certified ISO 9001 by

